

Back

- Flat Cable Connectors SEK
- *har-mik®*
- D-Sub
- InduCom

- **Applications**

Product details

09 56 100 5601

High density cable connector

Gender	Male High Density
Termination	Crimp
Number of contacts	15
Flange	through hole 3.1 mm
Shell	tinned metal shell with dimples
Insulation material	PBTP
Contact configuration	contacts must be order separately
RoHS compliant	Yes

Inquiry

Available Downloads

Title	Format	
Data sheet	PDF	download
CAD data 2D	DXF	download

Product news

5

4

3

2

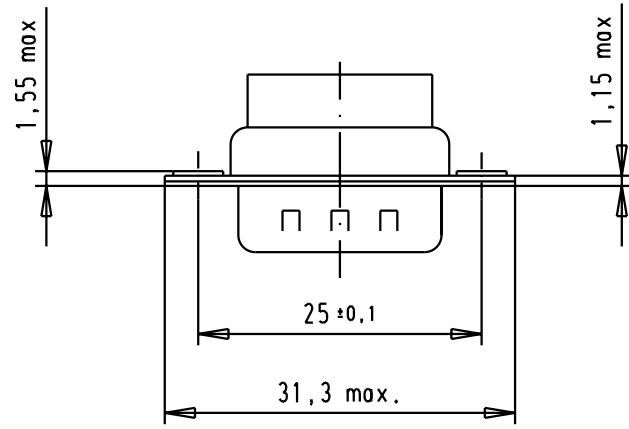
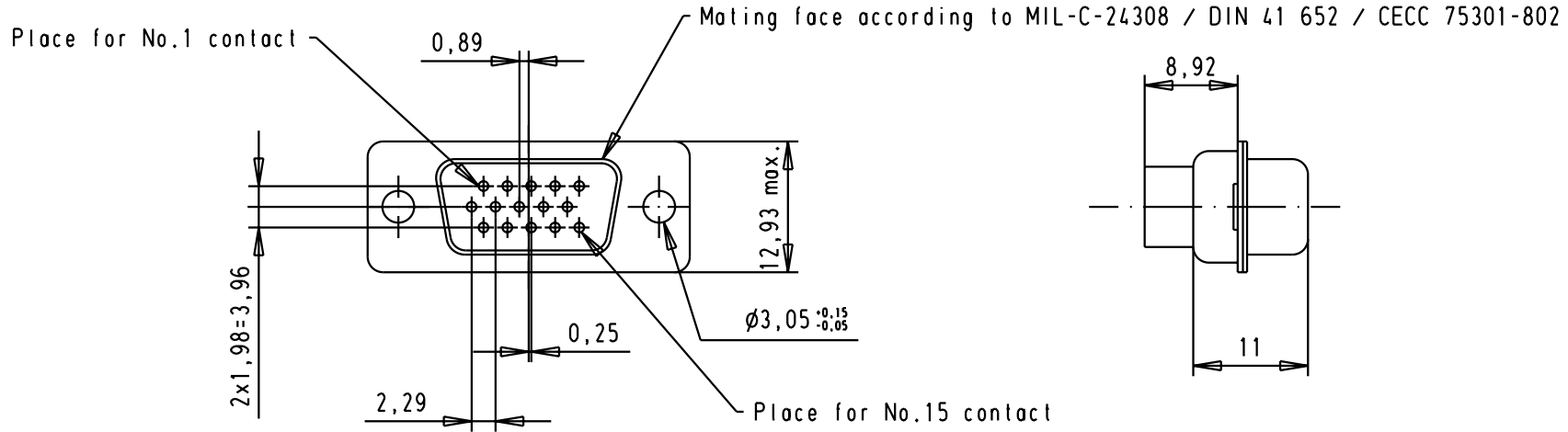
1

D

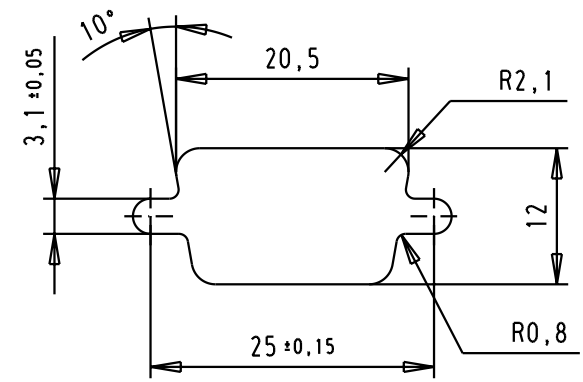
C



B

A



Panel cut out



						 All Dim. in mm Orig. Size DIN A 4	D-Sub, High density, male, 15 poles, for crimp contacts	Maßstab/ Scale 1.5:1
			Detail.	16-SEP-02	CV			
			Insp.					
			Stand.					
31064	16-SEP-02	CV	HARTING EURL F-95972 Paris				TB 09561005601	Blatt/ Page 1 /
Mod.	Dat.	Name						